

Reinco

**MODEL: MD-96
8' Mulch Disc / Packer Combination**

OPERATIONS PARTS & SERVICE

**REINCO INC.
PO BOX 512
PLAINFIELD, NJ. 07061-0512**

**TOLL FREE (800) 526-7687
PHONE (908) 755-0921
FAX (908) 755-6379**

NOTICE

Every attempt has been made to make this manual complete, accurate and up-to-date. However, all information contained herein is subject to change due to updates and design modifications. All inquiries concerning this manual should be directed to REINCO INC.



CAUTION: The following information is IMPORTANT to the HEALTH and SAFETY of your employees. Please READ, take ACTION and FILE this document for future reference. Ask for additional copies if required.

REVISED 01/18/94
PN 65250900

Safety Overview

Study this manual carefully before attempting to operate the machinery.

Personnel responsible for your mulching training program, maintenance, and operations must read and understand this operator's manual. No one should set up, operate or maintain any piece of equipment until they understand it, its operation and know how to do their job safely.

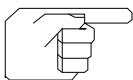
Safety Symbols



This safety alert symbol is used to call your attention to instructions concerning your personal safety. Federal law requires you to explain the safety and operating instructions furnished with this machine to all employees before they are allowed to operate the machine. These instructions must be repeated to the employees at the beginning of each season. Be sure to observe and follow these instructions for you and your employee's safety.

When you see it in your operations manual, be alert to the potential for personal injury.

Follow recommended precautions and safe operating practices.



This symbol is used to draw attention to those operational and maintenance instructions we consider important to insure long trouble free operation of this machine.

Understand Safety Words

A signal word - **DANGER**, **WARNING**, or **CAUTION** - is used to identify a potential for serious injury. **DANGER** identifies the most serious hazards.

DANGER or **WARNING** safety signs are located near specific hazards. General precautions are listed on **CAUTION** safety signs. **CAUTION** also calls attention to safety messages in this manual and your operations manual.

Follow Safety Instructions

Carefully read this manual. Keep safety signs in good condition. Replace missing or damaged safety signs. Be sure new equipment components and repair parts include current safety signs and safety guards. Replacement safety signs and guards are available from your Reinco dealer or directly from Reinco.

Learn how to operate the machine and how to use the controls properly. Do not let anyone operate without instruction.

Keep your machine in proper working condition. Unauthorized modifications to the machine may impair the function and/or safety and affect machine life.

If you do not understand any part of this manual and need assistance, contact Reinco directly.

Concentrate on Your Job

Daydreaming, worrying about other problems or other improper operation of a machine could cripple you for life. Operating this machinery requires your complete attention. Talking, joking or participating in or watching horseplay could result in physical injury to you . . . and that's not something to joke about. So watch what you are doing and concentrate on your job.

Mulch Disk Safety Notices



- 1 • Do not lubricate, adjust or repair when machine is in motion.**
- 2 • Do not tow or transport faster than 15 miles per hour.**
- 3 • Do not ride or allow others to ride on the machine.**
- 4 • Block up all hydraulically or mechanically raised components to prevent unintended lowering or lower the machine to the ground to make adjustments or repairs or when not in use.**
- 5 • Keep all persons away from machine during hitching and operating.**
- 6 • Slow down before making sharp turns or using the brakes. Drive slowly over rough ground, side hills, and around curves to avoid tipping.**
- 7 • Comply with all laws when transporting the machine on public roadways.**
- 8 • Instruct all operators in the safe operation of the machine. Review the operator's manual for correct procedures.**

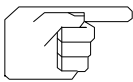
Machine Overview

The Reinco Mulch Disc combines two common tools to provide a simple and economical means for anchoring hay or straw mulch applied to prepared areas for erosion control or new seedbeds. The Mulch Disc may be used in combination or in part depending on job requirements and user preferences. The attaching hardware allows the beams (crimper or packer) to be reversed or removed to accommodate those requirements.

The Reinco Crimper is similar to a harrow, however, the discs are aligned straight. These 3/16" abrasion resistant steel blades are scalloped to punch the mulch strands into the topsoil at 1-1/2"-1-3/4" depth, set in 8" rows.

The Reinco Cultipacker is made up of heavy notched cast iron wheels with centers corresponding to the crimper tracks.

The MD-96 Mulch Disc is assembled at the factory to be towed with the crimper forward of the packer assembly. When drawn over the newly mulched area the crimper blades will punch the mulch into the topsoil. The packer wheels then compress the topsoil to 'lock-in' the crimps and pack the remaining mulch to 'dress' the area giving the site a smooth finished appearance. The crimped mulch strands are permanently anchored. The packer wheel notches make impressions in the topsoil to create silt / seed traps to prevent erosion or washout in the event of severe wind or rain conditions.



The combined unit will require a tractor with a lift capacity of 1700# (at 24" aft), and a minimum 30 hp net rating.

Attaching the unit to the Tractor

The mulch disc is designed to be mounted to a tractor with a standard CAT I three point hitch.



Caution: Do not stand between, or attempt to attach or detach the implement without making certain that both the tractor and unit are blocked from movement.

Remove or adjust the tractor lower link stops to accommodate the hitch weldment spacing. The lower tractor links are connected to the hitch weldments with the 3/4" clevis pins and snap pins provided. The top tractor link (an adjustable link arm is recommended) must be connected to the mast using a 3/4" standard clevis and lock pin (not provided). Care must be taken to insure that the completed hook-up allows the unit to be level when towed. The crimper scallops will be impressed into the soil surface approximately 1-1/2" when the unit is lowered for use.

When the unit is reversed (packer forward of the crimper) the top tractor link must be readjusted to set the crimper blades at the operating depth.



Recheck all connections and insure that locking pins are secure. Raise the hitch assembly slowly to insure that the unit will be lifted sufficiently for transport. With the hook-up complete the unit may be transported to the site for operation.

Caution: Do not transport the unit at high speed, or make sudden stops or turns, as the weight of the implement may cause the operator to loose control of the tractor.

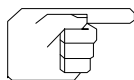
Caution: When transporting the unit on roads or highways, be certain to provide slow moving warning symbols, reflectors or signs as required.

Operation

Set the unit down at the edge of the area to be crimped. Proceed slowly and adjust the tractor speed to allow the crimper to punch the mulch. The depth of the crimp is determined by the tractor speed. Traveling too fast will run the crimper over the mulched topsoil without adequately crimping the mulch.

Slight side to side movement is normal due to ground contours, however, the mulch disc must be drawn in straight rows.

The weight of the unit as well as the blades being impressed into the topsoil, prohibit turning.



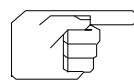
At the completion of each row the unit must be lifted. Turn the tractor with the implement elevated then set the unit down alongside the previous row and resume the operation.

Some care should be taken to avoid large rocks or debris which may potentially damage the unit.

Alternate Uses

Reversing the packer and crimper beam/axle assembly will allow the unit to be used for secondary cultivation.

With the packer drawn in front of the crimper blades, the unit may be used to break up soil clumps and smooth the topsoil to prepare a seedbed area. The packer wheels pulverize the topsoil leaving a firm but finely loosened prepared soil. Air pockets in the soil are eliminated as the surface is firmed which permits ground moisture to be drawn up to the root zone by capillary action. The packer wheel notches and crimper scallops make depressions in the soil surface to trap water and silt.



Removing one of the beams makes either unit available for those little jobs, where space or equipment prohibits the combination.

The MD-96 is not a tillage tool and cannot be used for primary cultivation.

Options

For the Crimper assembly (when used alone) an optional weight kit is available to add standard front end tractor weights. Up to 14 (3-3/4" wide) suitcase style weights may be installed to increase the disc penetration in difficult soils.



Caution: Either the Crimper or Cultipacker when used individually require a parking stand. The stand must be locked down when the unit is attached or detached and raised completely when operating.

SERVICE

Due to the simplified construction of REINCO HYDROGRASSERS, POWER MULCHERS, AND OTHER EROSION CONTROL EQUIPMENT most routine maintenance can be performed without the services of a skilled mechanic. In the event the unit requires expertise beyond that which is covered in this manual, contact your authorized REINCO servicing dealer.

ABOUT WARRANTY

The equipment warranty statement is provided as protection to our valued customers, when or if the situation occurs, that a part or parts fail prematurely during normal use and service. The warranty period as provided allows the purchaser to make claim for repair or replacement of the parts deemed defective within that period. The procedure that follows will provide that claims made, may be expedited promptly and that settlement will be made fairly and amicably.

WARRANTY PROCEDURE AND FILING

- ◆ NOTIFICATION Promptly notify your dealer or REINCO of defect or failure and confirm in writing.
- ◆ AUTHORIZATION Upon receipt of authorization from REINCO, initiate replacement or repair under the terms and conditions of the warranty.
- ◆ RETURN GOODS Should part(s) be requested returned for inspection, obtain authorization for return (RGA). Return part(s) to REINCO Inc., freight prepaid. A copy of the return authorization should accompany the shipment.
- ◆ SUBMIT CLAIM Claims submitted for warranty consideration will require copies of notification, replacement part(s) invoice(s) and time record (Work Order). Copies of any additional correspondence with regard to the particular claim should be submitted as well.

Reinco's obligation under the terms of the warranty shall be limited to replacement or credit for the part(s). On request parts must be returned for inspection. Related labor must be considered fair and reasonable regarding work performed. A work order time record will be required to substantiate and validate labor reimbursement requests.

Claims submitted which upon review are determined to be the responsibility of third parties will be returned with instruction for forwarding to those parties.

Claims submitted for warranty consideration must be forwarded to REINCO for review within 30 days of the date of claim or the claim will be considered invalid and void.

Settlement of any claim will require that any prior claims or adjustments are settled.

WARRANTY

REINCO INC. provides a limited one year warranty on the machinery of its own manufacture. REINCO INC. warrants to any buyer that the machinery shall be free of defects in material or workmanship during normal use and service for a period of one year from the date of shipment to the consumer. This warranty is not extended for machines placed into rental service.

Under this limited warranty, REINCO INC. shall within one week from the date of notification, (1) initiate replacement or action for repair of the part(s) proven defective in material or workmanship or, (2) direct the servicing dealer to investigate, report, and then authorize and perform repair or, (3) on direct factory shipment, instruct the user, upon verification of failure, to perform his own repair with prior agreed upon back charges to REINCO INC. The choice of alternatives shall remain the sole decision of REINCO INC.

THIS WRITTEN WARRANTY IS THE ONLY WARRANTY MADE BY REINCO INC. IMPLIED WARRANTIES OF MERCHANTABILITY OR FITNESS FOR A PARTICULAR PURPOSE, IF ANY, ARE LIMITED TO THE SAME TERM AS THIS WRITTEN WARRANTY. CERTAIN STATES DO NOT ALLOW LIMITATIONS ON HOW LONG AN IMPLIED WARRANTY LASTS, SO THE ABOVE LIMITATIONS MAY NOT APPLY. HOWEVER, SOLELY WITH RESPECT TO THE BUYER, THE FOREGOING WARRANTY IS IN LIEU OF ANY AND ALL IMPLIED WARRANTIES INCLUDING WITHOUT LIMITATION, IMPLIED WARRANTIES OF MERCHANTABILITY AND FITNESS FOR ANY PARTICULAR PURPOSE AND IN LIEU OF ALL OTHER WARRANTIES EXPRESSED OR IMPLIED, AND NO OTHER WARRANTY IS MADE OR AUTHORIZED TO BE MADE.

The user or dealer must promptly, within the limited warranty period, notify REINCO INC., and confirm in writing, the defects, allowing the Company to analyze the failure and determine its obligation under the warranty. Costs incurred by the user or dealer are to be absorbed, until settlement under terms of this warranty. The Company reserves the option and the right to have all defective components returned, transportation prepaid, for inspection.

This limited warranty does not cover unsatisfactory performance or failure due to misuse or abuse of the product, nor will REINCO INC. be responsible for unsatisfactory performance or failure to do improper adjustment or repair of the product. The specifications are descriptive and are not warranties.

This limited warranty does not cover equipment and accessories manufactured by third parties.

REINCO INC. SHALL NOT BE RESPONSIBLE FOR CONSEQUENTIAL, SPECIAL, CONTINGENT, INCIDENTAL OR ANY OTHER DAMAGES WHATSOEVER IN CONNECTION WITH REPLACEMENT, REPAIR OR REFUND AS SET FORTH ABOVE. CERTAIN STATES DO NOT ALLOW THE EXCLUSION OR LIMITATION OF INCIDENTAL OR CONSEQUENTIAL DAMAGES, SO THE ABOVE LIMITATION OR EXCLUSION MAY NOT APPLY.

THIS WARRANTY GIVES YOU SPECIFIC LEGAL RIGHTS AND YOU MAY ALSO HAVE OTHER RIGHTS IN ACCORDANCE WITH YOUR STATE LAW.

Maintenance Schedule

Daily	<ul style="list-style-type: none">1 • Inspect nuts and bolts for tightness.2 • Inspect all connecting parts for wear. Replace defective components with approved parts. Do not use wire in place of pins, etc.3 • Keep clean and free of debris.
Every 100 Hours	<ul style="list-style-type: none">1 • Inspect blades for bending or cracks.2 • Check packer wheels for cracks or broken parts.3 • Inspect bearings. The bearing are permanently lubricated. Replace if worn.4 • Repeat daily inspection.

WINTERIZING AND STORAGE

When the season is over, a preventative maintenance plan for laying up the machine over the winter months will simplify spring start up.

- 1 • It is assumed that the entire unit will have been thoroughly cleaned and washed down both inside and out. Peeling paint or rusty spots should be scraped, primed and painted.**
- 2 • Any identified repairs should be performed now to simplify next season's start up.**
- 3 • If the machine cannot be stored inside during the winter months, cover the entire unit to protect from the elements.**

REPLACEMENT PARTS

TO ORDER REPLACEMENT PARTS:

Identify the part(s) by item number using the pictorial schematic provided. Match the item number to the list, and identify the part required by stock number. Contact your REINCO dealer for price and availability. Parts may be ordered directly from the factory, outside of dealer territories. Parts ordered from the factory, for shipment to a customer within a dealer territory will be directed through the respective dealer's Parts and Service departments.

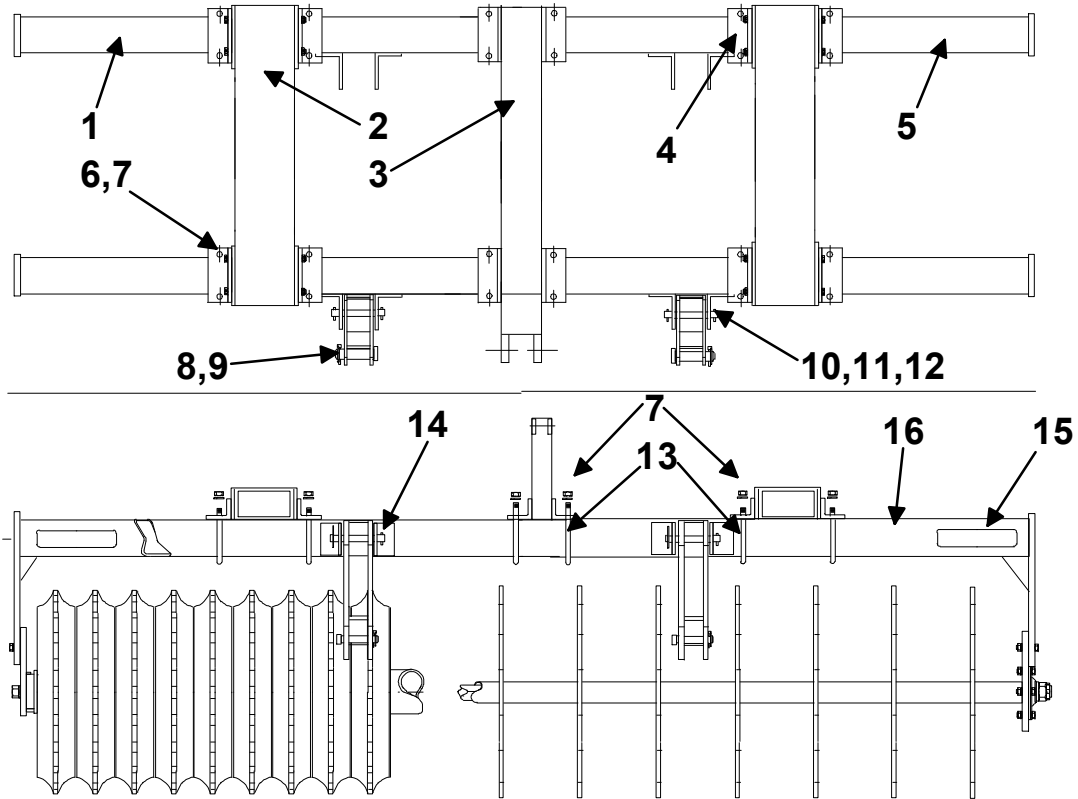
Many of the parts listed are commercially available and may be procured locally. Manufacturer's specific part numbers are available on request.

Should you require assistance with regard to locating these agencies, contact your REINCO dealer or REINCO directly.

OPERATION PARTS AND SERVICE MANUALS

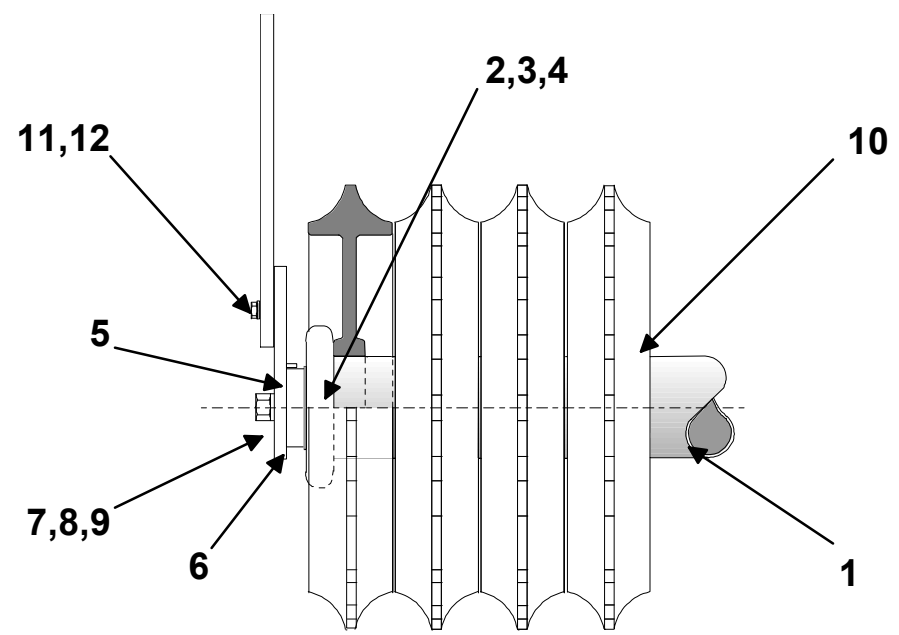
Additional user manuals may be ordered by part number. Use part number 65250900.

Frame Components



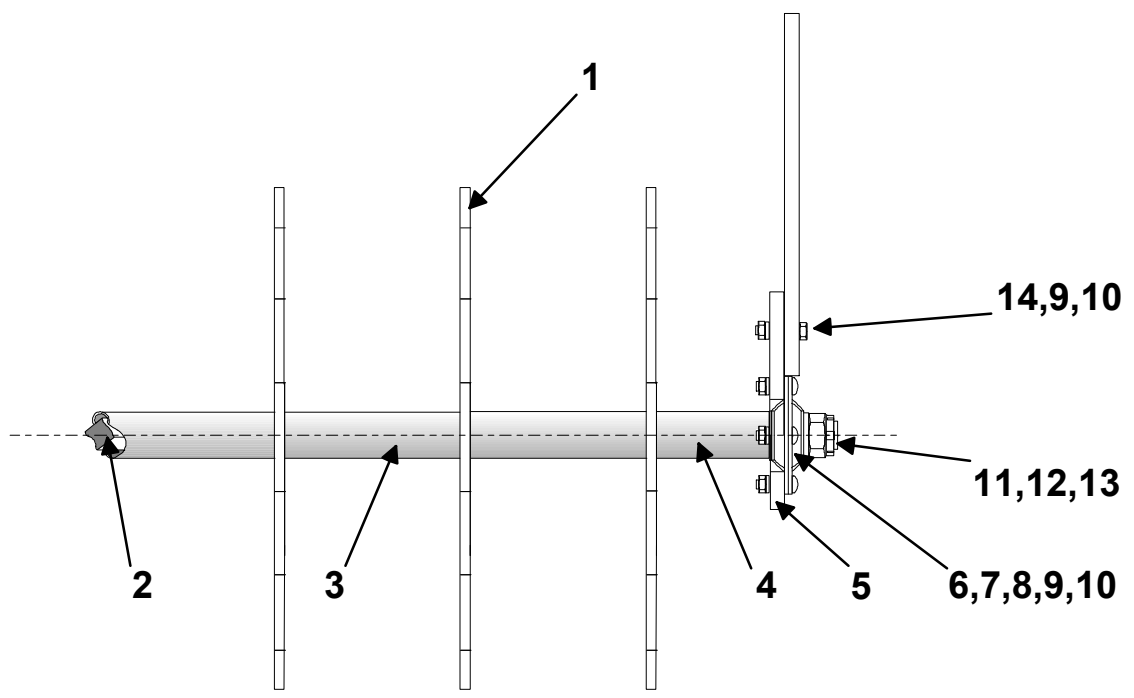
ITEM	PART NUMBER	DESCRIPTION	QTY	
			SINGLE UNIT	DOUBLE UNIT
1	65261000	FRAME WELDMENT	1	2
2	65291020	ATTACHMENT BEAM		2
3	65291010	MAST ASSEMBLY, STANDARD		1
	65291011	MAST ASSEMBLY, ALTERNATE	1	
4	65291021	ATTACHMENT ANGLE		8
5	65251010	DECAL, OPERATING CAUTIONS	1	2
6	FA1128.65	ATTACHMENT BOLT		8
7	FA1241.05	NYLOCK NUT	4	32
8	HA7150.60	CLEVIS PIN	2	2
9	HA7150.25	KLIK PIN	2	2
10	HA7170.06	ATTACHMENT PIN	2	2
11	HA7160.04	ROLL PIN	2	2
12	HA7150.02	HAIR PIN COTTER	2	2
13	HA7130.45	U-BOLT	2	12
14	65291030	HITCH WELDMENT	2	2
15	LI4050.01	REFLECTOR, RED	2	4
	LI4050.02	REFLECTOR, AMBER	2	4
16	ID2600.11	SERIAL NUMBER PLATE	1	1

Packer Axle Assembly



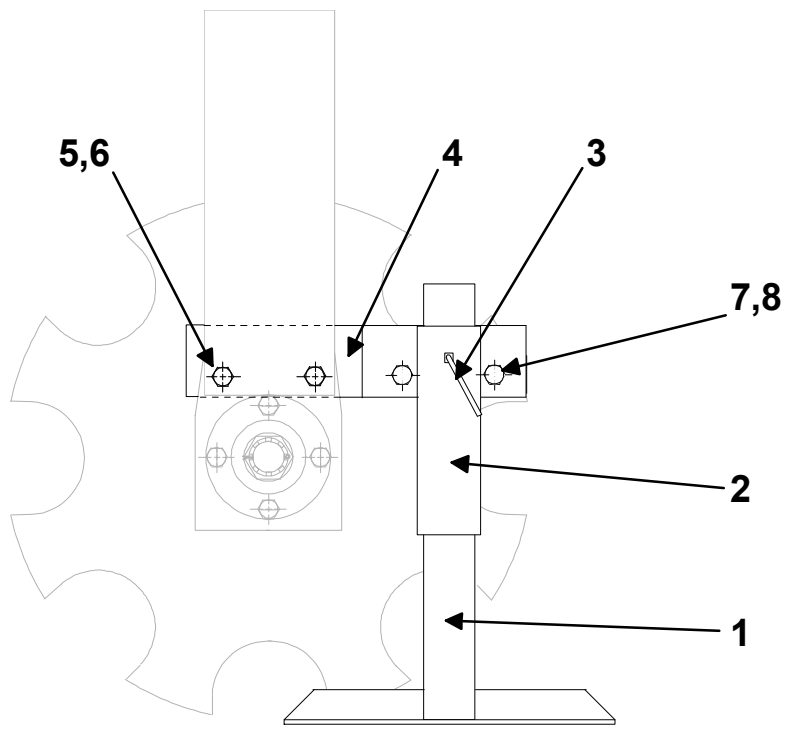
ITEM	PART NUMBER	DESCRIPTION	QTY
		PACKER AXLE ASSEMBLY	1
1	65271010	AXLE ASSEMBLY WITH BEARINGS ONLY	1
2	BE0210.40	BEARING, SQUARE BORE	2
3	65271010	BEARING HOUSING, CAST IRON	2
4	65271040	AXLE CLAMP ASSEMBLY	2
	65271041	CLAMP ONLY	2
	65271042	U-BOLT	2
	FA1221.04	U-BOLT NUT	4
	FA0330.04	U-BOLT LOCK WASHER	4
	FA1674.14	SET SCREW	4
5	65271021	AXLE MOUNTING PLATE WELDMENT	2
6	65271030	CAST MOUNTING	2
7	65271031	MOUNTING BOLT, DRILLED	2
8	FA1285.05	MOUNT NUT, SLOTTED	2
9	CP1011.10	COTTER PIN	2
10	65271050	PACKER WHEEL, 16", NOTCHED	24
11	FA1126.10	MOUNTING BOLT	4
12	FA0330.04	LOCKWASHER	4

Crimper Axle Assembly



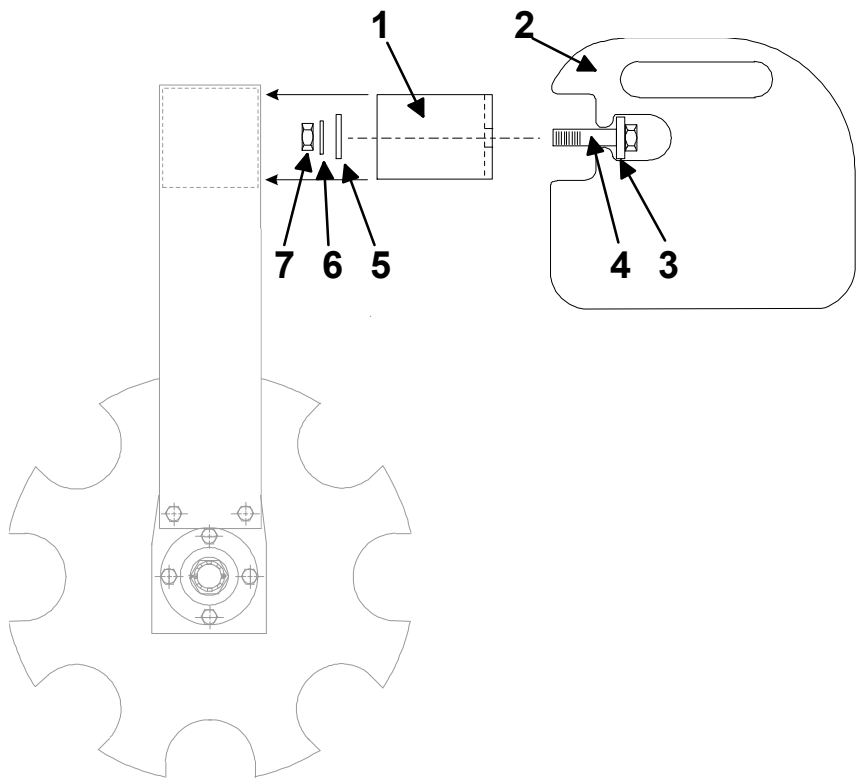
ITEM	PART NUMBER	DESCRIPTION	QTY
		CRIMPER AXLE ASSEMBLY	1
1	65281050	20" DIA. NOTCHED DISC	12
2	65281010	SHAFT, 1½" SQUARE	1
3	65281060	SPACER, 7-13/16"	11
4	65281070	SPACER, 4-29/32"	2
5	65281030	BEARING PLATE	2
6	BE0344.10	BEARING	2
7	BE0344.11	BEARING FLANGE, PAIR	2
8	FA1196.14	CARRIAGE BOLT	8
9	FA1221.04	NUT	12
10	FA0330.04	LOCKWASHER	12
11	FA1285.15	CASTELLATED NUT	2
12	CP1012.20	COTTER PIN	2
13	FA0330.14	SPLIT LOCKWASHER	2
14	FA1126.10	BOLT	4

Parking Jack Assembly



ITEM	PART NUMBER	DESCRIPTION	QTY
PARKING JACK ASSEMBLY			OPT
1	65331010	JACK STAND	1
2	65331030	JACK STAND BRACKET	1
3	65331020	JACK SCREW	1
4	65331040	JACK ADAPTOR BRACKET	1
5	FA1126.14	MOUNTING BOLT	2
6	FA0330.04	SPLIT LOCKWASHER	2
7	FA1126.10	MOUNTING BOLT	2
8	FA1241.04	LOCKNUT	2

Weight Kit Assembly



ITEM	PART NUMBER	DESCRIPTION	QTY
WEIGHT KIT ASSEMBLY, 678 LBS			OPT
1	65341010	SUITCASE WEIGHT SUPPORT BRACKET	1
2	9611-018	SUITCASE WEIGHT, 22kg.	14 MAX
3	SBA399210280	BOLT PLATE	14
4	N600414536	BOLT M12 x 50MM	14
5	SBA026100012	FLAT WASHER	14
6	SBA027100012	LOCK WASHER	14
7	SBA020100012	NUT	14

ITEMS 2-7 AVAILABLE FROM
FORD NEW HOLLAND DEALERS

