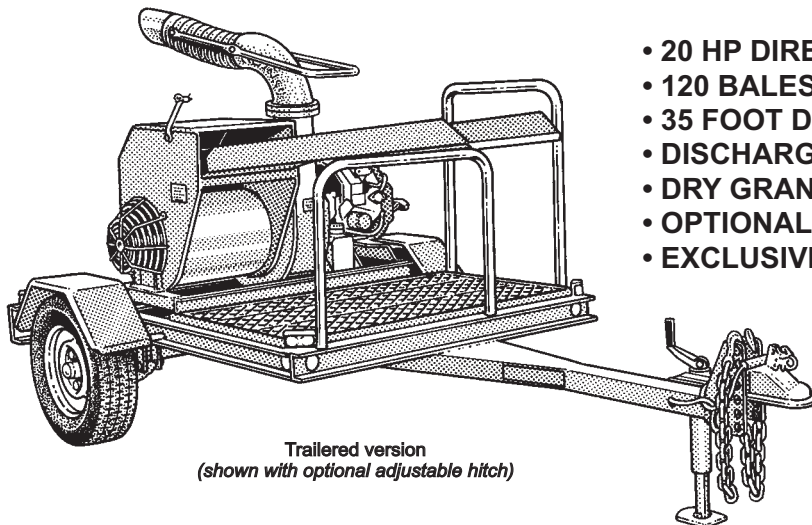
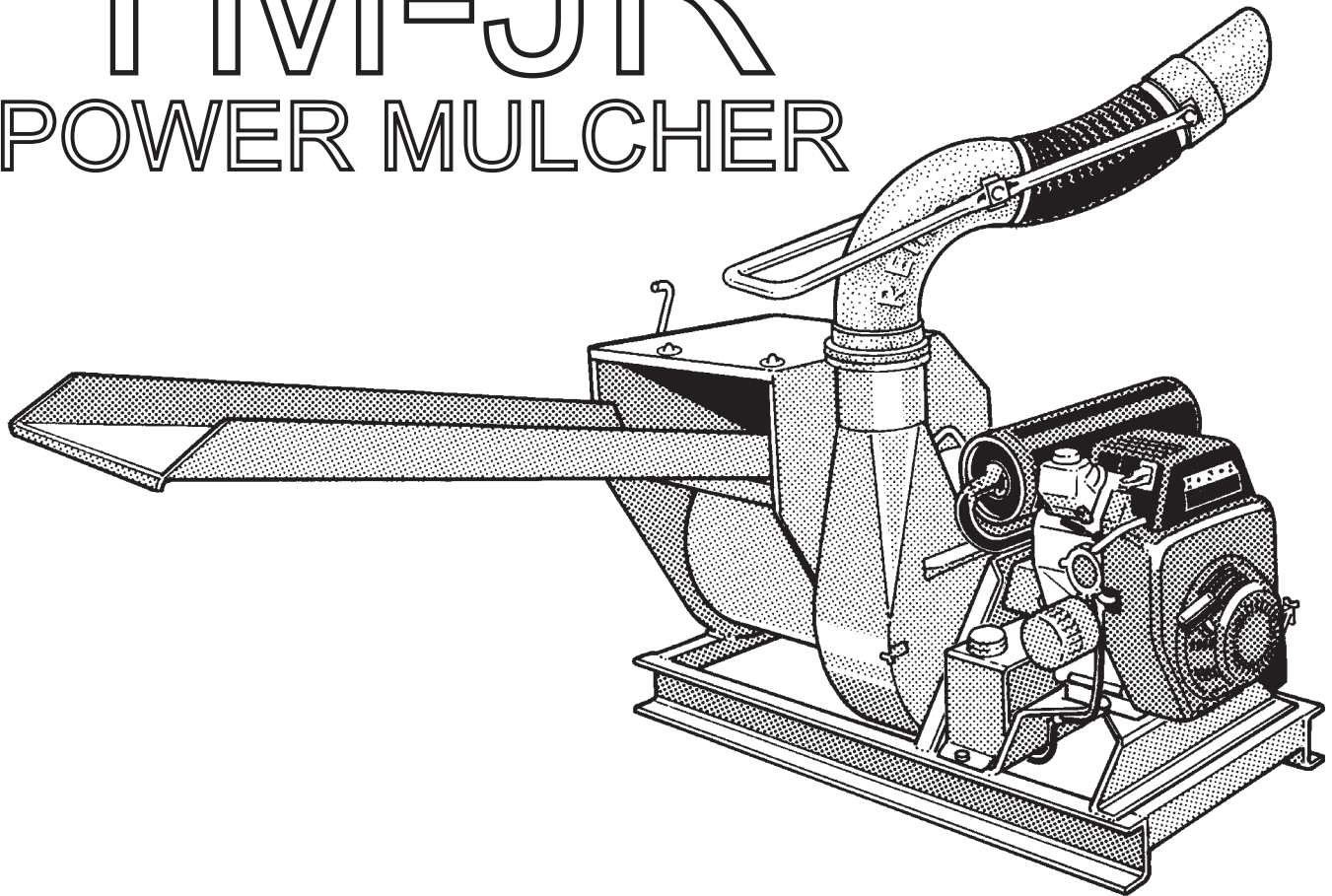


# TM-JR

## POWER MULCHER



Trailered version  
(shown with optional adjustable hitch)

- 20 HP DIRECT DRIVE ENGINE
- 120 BALES PER HOUR RATING
- 35 FOOT DIRECT DISCHARGE IN STILL AIR
- DISCHARGE AND SUCTION HOSE OPTIONS
- DRY GRANULAR BROADCAST OPTION
- OPTIONAL FMVSS TRAILER ADDS VERSATILITY
- EXCLUSIVE TWO YEAR WARRANTY

# Reinco

Power Mulching & Hydrograssing Machinery

Reinco Inc. • PO Box 512 • Plainfield, NJ 07061-0512

Phone (800) 526-7687

Local (908) 755-0921

Fax (908) 755-6379

[www.reinco.com](http://www.reinco.com)

# POWER MULCHER • MODEL TM-JR

The Reinco TM-JR Power Mulcher is the perfect machine for small and hard to reach jobs. Its compact size makes this machine easy to operate from the bed of a pickup truck. Rated for two tons of hay or straw mulch per hour, and direct placement of 35 feet, or add extension hoses to extend for hard to reach areas. The exclusive high load beater drum configuration offers improved mulch separation for high production rates. A full acre can be mulched in an hour or less. With the optional suction and discharge attachments, this machine can be used year round for leaves and light debris cleanup and placement of other landscape materials. For years of productivity, demand a Reinco Power Mulcher!

## FEATURES

Manually fed flakes of average dry mulch results in an output of up to two tons per hour. Direct discharge range in still air is 35 feet.

Patented high volume beater drum (thrashing chamber) with raised inlet is contoured to eliminate debris kick back and configured to place flailing stations below line of sight.

The TM-JR is a self-contained portable machine, consisting of electrically welded modular components secured with plated self locking fasteners, mounted on a fabricated steel base.

Engine power is reliably transmitted directly via flexible coupling to the blower. Design allows servicing without removing from machine. Our proven direct drive eliminates chains, belts, or clutches, and puts all the engine power to work! Fully adjustable flail stations are mounted in common on the heavy duty beater shaft. Access for flail adjustment is through removable rear drum panel.

Fixed full sweep cast aluminum discharge boom assembly with self lubricating bearing assembly. Formed handle bar provides responsive control of horizontal and vertical placement.

Removable single section feed tray (20-7/8" wide) nests to feed mulch to thrashing chamber, then easily mounts and locks to the beater drum for storage and transport.

Twin 'V' cylinder, heavy-duty 20 HP air cooled engine, equipped with 12V ignition with recoil backup, battery, alternator and starter, with dual element air cleaner, oil level safety shut down, spin on oil filter, OHV design, full pressure lubrication and two-year manufacturer commercial engine warranty. Keyed ignition, and choke are mounted on the engine shroud. Hour meter is nested on the engine base.

Machine primed and sanded, then finished with Reinco lead free yellow modified acrylic final topcoat. Accessories are furnished plated or finish painted; complete with operating and safety decals.

All Reinco machinery is factory inspected and shipped assembled ready to work.

***Call about your specific application requirements!***

*Reinco manufactures a complete line of Eight Hydrograssers and Five Power Mulchers*

## SPECIFICATIONS

### **SIZE:**

Skid length is 51"(1.24 m), width 33"(.81 m), height 43"(1.05 m).  
Trailer length is 132"(2.61m), width 80"(2.1 m), height 75"(1.85 m).

### **WEIGHT:**

Standard unit weight is 425 pounds (193 kg).  
Uncrated volume is 42 ft.<sup>3</sup> (1.05 m<sup>3</sup>).  
Trailer unit weight is 1425 pounds (626 kg).  
Uncrated volume is 442 ft.<sup>3</sup> (12.5 m<sup>3</sup>).

### **ENGINE:**

20 HP air cooled Honda EC gasoline.

### **DRIVE:**

Direct flexible insert drive coupling features easy access replacement bushings.

### **FLAIL:**

Three fully adjustable full hardened chain flail stations.  
Optional flail knives make easy work of tough materials.

### **BLOWER:**

15-1/2" OD, six blade reinforced material handling type wheel, balanced.

### **DISCHARGE:**

UMHW nylon bearing mounted, 360° horizontal rotation, helically reinforced urethane tube provides 60° vertical articulation.

## OPTIONAL EQUIPMENT

### **HOSE PLACEMENT:**

Remote discharge kit includes 25 ft. of 6" helically wound, flexible urethane cuffed hose, boom discharge adapter and hand held discharge playpipe. Connect additional 25 ft. hose sections for extended placements.

### **VACUUM KIT:**

Adapter kit converts beater drum to suction chamber for leaf, mulch and light debris pick-up. Attach up to 50 ft. of 6" hose. The discharge playpipe is designed to double as a pick-up nozzle.

### **TRAY EXTENSION:**

Foldable tray extension to accommodate long bale lengths.

### **TRAILER:**

Offers grip strut operator area with safety railings. Single 2800 lb., slipper type leaf spring mounted axle and ST205/75R14 6 ply tires comprise the running gear. A 2" fully adjustable ball coupler, swing parking jack, safety chain, fenders, DOT recommended lighting, and wiring connector to tow vehicle are standard.

### **HITCH:**

Lunette style hitch,  
2-5/16" ball hitch  
Clevis style hitch

### **BRAKES:**

Electric brake axle with brake away switch  
Hydraulic brake axle with brake away switch

# Reinco

**Power Mulching & Hydrograssing Machinery**

Reinco Inc. • PO Box 512 • Plainfield, NJ 07061-0512

SPECIFICATIONS SUBJECT TO CHANGE WITHOUT NOTICE

**Phone (800) 526-7687**

**Local (908) 755-0921**

**Fax (908) 755-6379**

**www.reinco.com**

Mjr\_SP0209G