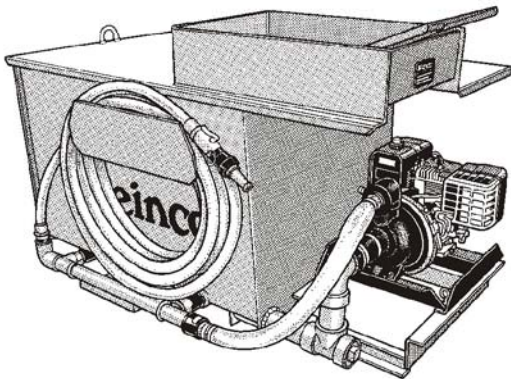
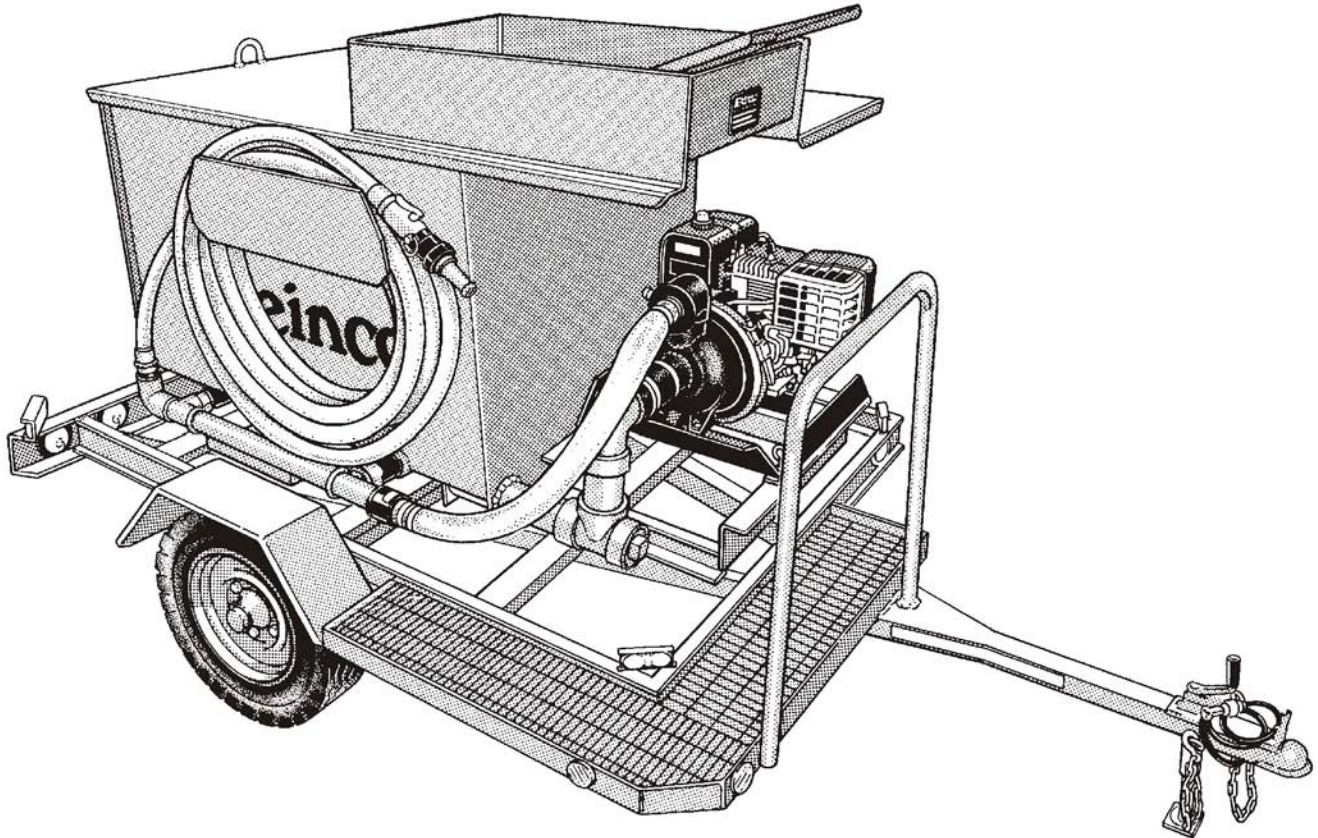


# HG-2 HYDROGRASSER TACK APPLICATOR



- 250 GALLON TOTAL TANK VOLUME
- UP TO 180 FT. APPLICATION RANGE
- HALF ACRE TACK APPLICATION
- HYDRO-SEED SMALL AREAS QUICKLY
- STANDARD ANTI-SIPHONING FILL
- VERSATILE TRAILERED VERSION
- OR PICKUP BED SIZED SKID UNIT

# Reinco

Power Mulching & Hydrograssing Machinery  
Reinco Inc. • PO Box 512 • Plainfield, NJ 07061-0512

Phone (800) 526-7687  
Local (908) 755-0921  
Fax (908) 755-6379  
[www.reinco.com](http://www.reinco.com)

# HYDROGRASSER • MODEL HG-2

**The Reinco HG-2 Hydrograsser is a small job sized unit with full size machine features. Apply a Tackifier slurry over hay or straw mulch applications up to ½ acre or more per charge. Seed and fertilize small areas in a single step with big machine results. Materials are mixed and ready to spray in minutes. Team up with the Reinco TM-JR Power Mulcher to seed, mulch and tack 4 acres or more a day. The trailer package keeps the truck free to handle other chores. For years of productivity, demand Reinco Power Mulching and Hydrograssing machinery !**

## FEATURES

The unique Reinco 'Hydro-Jet' primary agitation system produces a violently turbulent circulating action. The engine powered self-priming straight centrifugal pump combines mixing, re-circulation and discharge via common manifold system. The large charging hatch allows for simultaneous loading of batch materials. The exclusive anti-siphoning fill assembly doubles to top wet materials as they are loaded to insure fast, uniform mixing.

This proven system eliminates the high maintenance components of other systems. There are no belts, clutches, chains, sprockets and confusing controls. A novice can operate the machinery as easily as the seasoned professional.

Tank formed and fabricated of carbon steel sheet with removable tank top. Tank level marker indicates 200 gallon water fill increment on hatch loading grid. Frame and modular components are formed and fabricated from carbon steel and structurals, and welded throughout.

Air-cooled gas EC engine rated 8HP, dual element air cleaner, electronic shutdown, oil pressure safety shutdown, overhead fuel tank, recoil start, mounted Polymar™ end suction centrifugal pump.

Tank interior coated with high solids aluminized epoxy. Machine primed, sanded and finished with durable lead free Reinco yellow modified acrylic enamel. Operational and safety decals complete the installation.

Optional heavy-duty trailer frame offers galvanized, grip strut slip-free operator area with safety railing. Single 2800 lb., slipper type leaf spring mounted axle and ST205/75R14 6 ply tires comprise the running gear. 2" ball coupler, swing parking jack, safety chain, fenders, DOT recommended lighting, and wiring connector to tow vehicle are standard. Optional brake and hitch options are available.

All Reinco machinery is factory tested and shipped complete and ready to work.

***Call about your specific application requirements!***

## THE COMPLETE REINCO PRODUCT LINE:

### **HYDROGRASSERS:**

8 Models, 200 to 3000 gallon working capacity.

### **POWER MULCHERS:**

5 Models, 1-1/2 to 20 tons per hour mulch output.

## SPECIFICATIONS

### **CAPACITY:**

200 Gallons (757 l) working volume (water).  
250 Gallons (946 l) total volume (combined slurry).  
Granular solids: 180lbs. (82 kg).  
Processed Fiber Mulch: Up to 100 lbs. (45 kg).

### **EFFECTIVE RANGE:**

85 feet (26 m) 50' hose, 180 feet (55 m) with extension hoses.

### **TRAILERED UNIT:**

Length 11' (3.35 m), Width 6'-8" (2.03 m), Height 5'-7" (1.7 m).  
Uncrated Volume 413 ft.<sup>3</sup> (11.6 m<sup>3</sup>).  
Weight 1250 lbs. (567 kg), Fully charged 3200 lbs. (1451kg).  
Empty Tongue weight 125 lbs.

### **SKID MOUNT:**

Length 5'-10" (1.8 m), Width 3'-10" (1.2 m), Height 3'-9" (1.14 m).  
Volume 90 ft.<sup>3</sup> (2.55 m<sup>3</sup>).  
Weight 775 lbs (351 kg) Fully charged 2650 lbs. (1193 kg).

### **PUMP:**

3 x 3, 1-1/2" particle clearance, mechanical seal, air cooled gas EC engine rated 8HP.

### **AGITATION:**

Stainless steel 'Hydro-Jet', re-circulation system.

### **DISCHARGE:**

1-1/4" x 50' heavy duty reinforced poly hose supplied with full ported ball valve control, fitted with quick-disconnect coupler for nozzle interchangeability. Rack mounted to tank side for easy access. Add up to 100' additional hose for full 180' range.

### **NOZZLES:**

Precision cast stainless steel quick disconnect type.  
Set of three supplied; long range, narrow fan and wide fan.

### **TRUCK:**

Recommended minimum GVW is 9000 lbs.(4056 Kg),  
Minimum CA is 60" with 133" WB

## OPTIONAL EQUIPMENT

Honda engine.  
Remote fill pump with accessories.

### **HITCH:**

Lunette style hitch, adjustable 17.5",22",26.5".  
2-5/16" ball hitch, adjustable 17.5",22",26.5".  
2" ball hitch, adjustable 17.5",22",26.5".

### **BRAKES:**

Electric brake axle with brake away switch.  
Hydraulic brake axle with brake away switch.  
Matched remote fill pump assemblies.

# Reinco

**Power Mulching & Hydrograssing Machinery**  
Reinco Inc. • PO Box 512 • Plainfield, NJ 07061-0512

**Phone (800) 526-7687**  
**Local (908) 755-0921**  
**Fax (908) 755-6379**  
**www.reinco.com**